

## SUPPORT NETWORK

### Experience Our Mobile Van Service For Fast And Reliable Solutions



#### ADDRESS:

##### North Zone

ESCORTS LTD - CONSTRUCTION EQUIPMENT  
4<sup>th</sup> Floor 409, Jasola Vihar  
Elegance Tower, Near Apollo Metro Station  
New Delhi -110019

##### East Zone

ESCORTS LTD - CONSTRUCTION EQUIPMENT  
Eco Centre, Ambuja Neotia,  
609, 6<sup>th</sup> Floor, EM Block,  
Salt Lake Sector-V, Kolkata – 700 091

##### West Zone

ESCORTS LTD - CONSTRUCTION EQUIPMENT UNIT 1,  
3<sup>RD</sup> FLOOR, A-WING, TIMES SQUARE,  
ANDHERI - KURLA ROAD, OPP MITTAL INDUSTRIAL ESTATE,  
ANDHERI (EAST), MUMBAI 400059 (MAHARASHTRA)

##### South Zone

ESCORTS LTD - CONSTRUCTION EQUIPMENT  
First Floor, bearing No - FF 2, in Subham Square,  
Survey Number 41/9, 1st Main Road and 1st Street,  
Tarambakkam, Porur,  
Chennai - 600 116



## WHEN YOU NEED EXTRA NXT 1311



Front Outriggers | Low Creep Speed - 2.1 Kmph | Fail Safe Pneumatic Brakes  
Short Turning Radius | 500 Hours Engine Service Interval

# ESCORTS WHITE LINE

Customer Support No.:  
**1800 180 4488**

(Timings: 9.30 am - 6.00 pm, Monday to Friday)

e-mail:  
[ece.marketing@escorts.co.in](mailto:ece.marketing@escorts.co.in)

Escorts Construction Equipment: Plot No. 219, Sector-58, Ballabhgarh- 121 004, Faridabad, Haryana (INDIA) Tel.: 0129-2306574/2306598/2306571  
Fax: 0129-2306572 Website: [www.escortsgroup.com](http://www.escortsgroup.com)

## SPECIFICATIONS

### RATED CAPACITY

13 Tonne at	1.5 m radius
2 Ton at	8.2 m Radius
Max Hook Height	11 m

### ENGINE

Diesel engine of Escorts make, model AE4.312C-3A, water cooled, developing 49.5HP @ 2200 ERPM

### TRANSMISSION & CLUTCH

Drive	2WD
Type	8+2 Constant Mesh Transmission
Clutch	Single, Dry type friction clutch plate
Speeds	8 forward and 2 reverse
Max Travel Speed	29 kmph
Creep Speed	2.1 Kmph
Gradeability	22%

### STEERING

Type	Fixed type, Fully Powered orbitrol with twin Hydraulic double acting cylinders
Articulation	Up 45° on either side
Turning Radius	6.3 m

### CONTROL VALVE

5 spool control valve with built in pressure relief valve and precision control.

### AXLES

Front	Rigid Box Type Dead Axle
Rear	Robust Straight Axle

### BRAKES

Front Wheel	Pneumatic assisted hydraulic brakes
Rear Wheel	Disc brakes actuated through a slave cylinder
Parking	Hand operated mechanically actuated at rear wheels

### TYRES

Front	10 x 20 - 16PR [4 Nos.]
Rear	14 x 24 - 16PR [2 Nos.]

### BOOM

Telescoping, 3 Part Slotted boom, box type hydraulically operated, through Double acting Jacks & rope compensation  
Luffing Range -3° to 62°

### HOIST MECHANISM

4 Falls, Hydraulic Winch (Capacity 10T) with 13 mm dia rope

### ELECTRICAL SYSTEM

12 V Negative Earth, 75 AH x Single Battery

### DIMENSIONS

Wheel Base	4350 mm
Overall Length	10300 mm
Overall Width	2550 mm
Overall Height	2850 mm
Front Wheel Track	1930 mm
Rear Wheel Track	1680 mm

### OPERATING WEIGHT

Front Axle Weight	4810 Kg
Rear Axle Weight	8620 Kg
Total Weight	13430 Kg

### CAPACITIES

Fuel Tank	90 ltrs.
Hydraulic tank	90 ltrs.

### SAFETY SYSTEM

Safety brake on hoist  
Overhoist audio warning system (Optional)  
Counter balance protection valve in the lift line against hose burst. Visual warning against parking brakes on.

### STANDARD ACCESSORIES

Operator Cabin  
Rear view mirror  
Reflectors  
Turn & Reverse lamp  
Concealed Lockable battery

### OPTIONAL ACCESSORIES

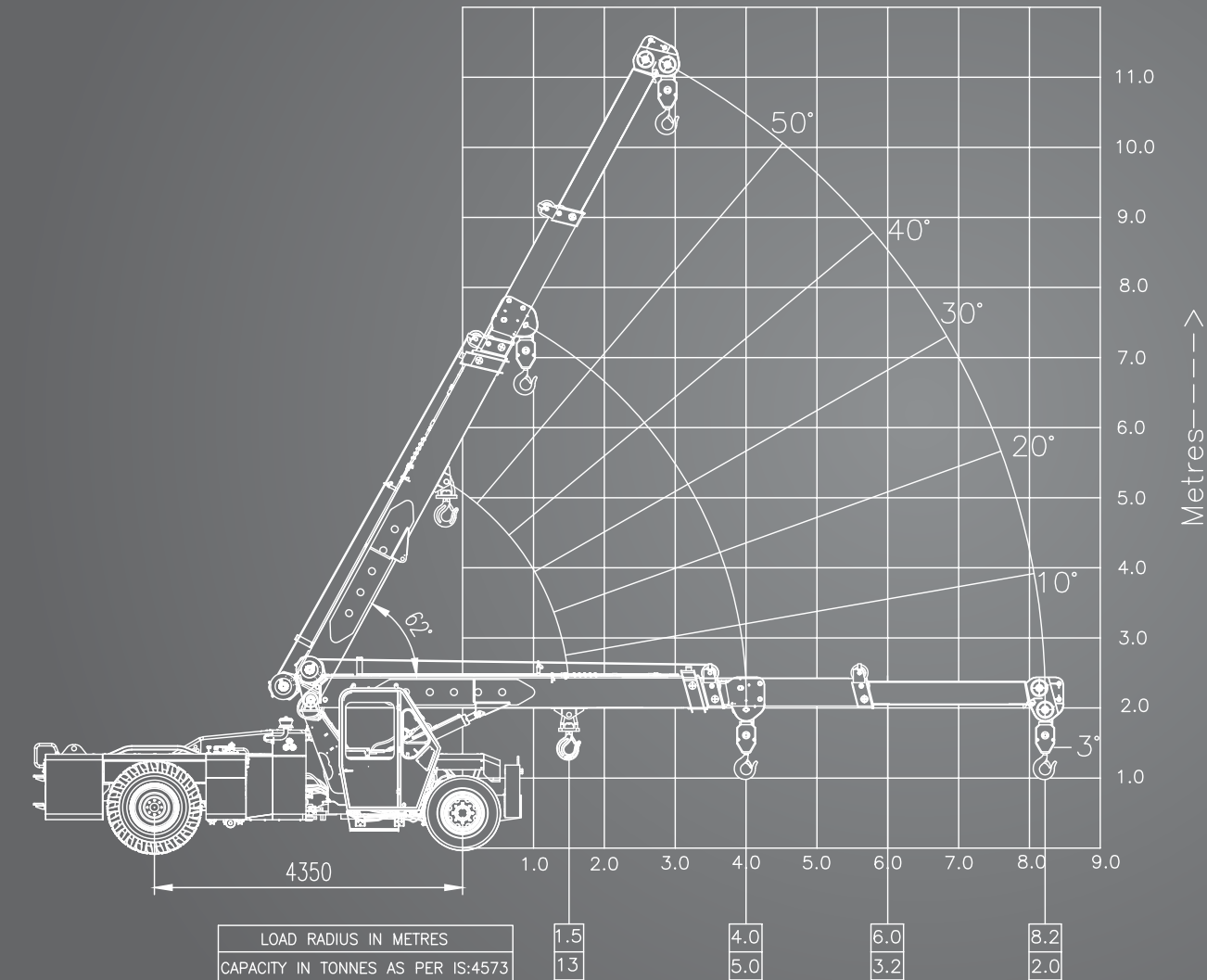
Safe Load Indicator  
Reverse Parking System  
Telematic & Stereo System  
Fly Jib  
HD Tyres  
Becon Light  
Mobile Charger  
Cabin Fan

**STRUCTURE** Frames and boom are fabricated with high tensile steel plates, sections and with proven technology.

**OPERATOR'S CAB & CONTROLS** Operator cabin with steel construction, excellent visibility for craning operation, adjustable seat, automotive type controls like steering wheel, brakes, accelerator pedal, gear shifting etc.

**Note:** Technical modifications reserved. All dimensions & weights are variable within ± 5% over Indicated Values.

## TECHNICALS



Rate loads are calculated for operation on leveled surface.



Helper Seat



Front Cabin : Better Visibility



SLI – Safe Load Indicator



Pneumatic Brakes